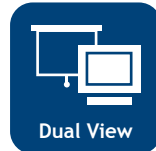


Embedded Box PC - BAS Series

BAS0403



Support from Intel BayTrail SoC up to Skylake-U Core i3



- Compact & Sturdy Fanless Design
- Aluminum Extrusion & Heavy-duty Steel
- Intel® Bay Trail SoC onboard processor
- Dual display: VGA/HDMI
- 1 VGA, 1 HDMI, 2 USB, 1 COM, 2 LAN
- DC 12 ~ 24V input
- Wide temperature: -20°C ~ 60°C
- Watchdog timer



Food Process



Robotics



Factory



HMI screening



Packaging

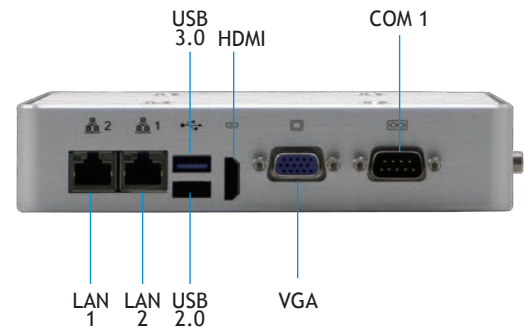
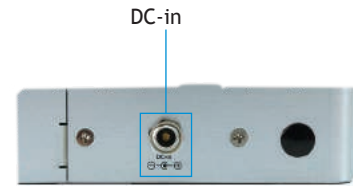
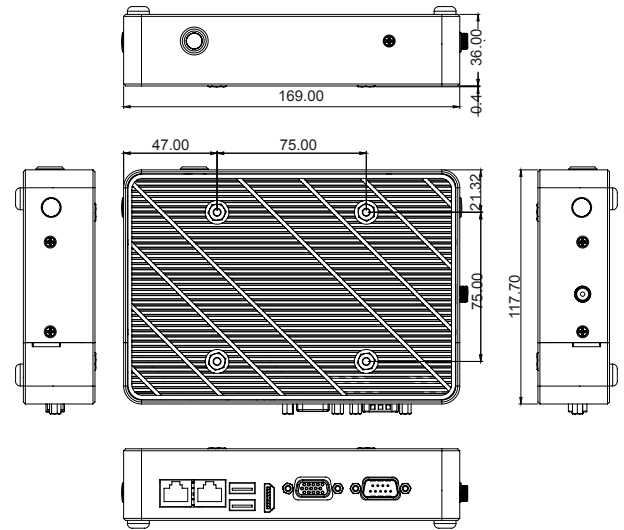
Specification

BAS0403

Main System

Cooling	Fanless
Processor	Intel® Atom™ E3845 1.91GHz quad core SoC(10W)
Chipset	Intel® Bay Trail SoC onboard
Graphic	Intel® HD Graphics
BIOS	AMI SPI Flash ROM
Memory	1 x 204-pin DDR3L 1067/1333MHz SDRAM; max. up to 8GB
System I/O	1 x VGA 1 x HDMI 1 x COM (RS232/422/485, RS485 with auto flow control) 1 x USB 3.0 1 x USB 2.0 2 x LAN
Ethernet	2 x Gigabit Ethernet (Intel® I211)
Storage support	1 x mSATA
Expansion slot	1 x Mini-PCIe (Half size) 1 x Mini-PCIe (Full size, share with mSATA)
System indicators	1 x Power LED
System controls	1 x Power on switch
Watchdog timer	Interval: Programmable 1 ~ 255 sec. Output: System reset
Power supply	Wide range DC 12 ~ 24V input, with AC 60W adapter, DC 12V output, Screw type connector
Mounting kit	Wall mount/VESA75 mount/DIN mount (optional)
OS Support	Win7, Win8.1, Win10, Linux

Unit : mm



Environment

System color	Silver
Mechanical	Mechanical Aluminum extrusion and heavy-duty steel
Operating temperature	-20°C ~ 60°C (Optional -40°C)
Storage temperature	-20°C ~ 80°C
Relative humidity	0% ~ 90% (non-condensing)
Dimensions	169 mm(W) x 117.7 mm(D) x 36mm(H)
Weight	0.8 kg
Warranty	2 year