

BPC Line - BCE Series

BCE0706



Commercial Fanless Windows Embedded Box PC



- Intel® Core™ i5-10210U
- Support Windows 10, Linux OS
- Fanless Operation
- Rich IO Port Design
- Low Power Consumption
- Long Product Life Cycle and Support



Self-service
Terminal



KIOSK



Smart Room
Controller



Gambling
Machine



Interactive
Digital Signage

Specification

BCE0706

Main System

CPU	Intel® Core™ i5-10210U
	Intel® Core™ i3-10110U (Optional)
	Intel® Core™ i7-10810U (Optional)
CPU Socket	FCBGA1528
GPU	Intel® UHD Graphics
Memory	1 x SO-DIMM, DDR4 2400MHz, 4GB (Max. 32GB)
Storage	1 x 2.5" SATA III SSD, 64GB (Max. 1TB)
	1 x M.2 2280 Slot (M-Key)
Expansion Slot	1 x Mini-PCIe
BIOS	AMI 64M DPI Flash ROM
OS Support	Windows 7 / 8 / 10, Linux
Ethernet	2 x Intel i211-AT Gigabit LAN
Audio	REALTEK ALC 622
Communication	WWAN: 3G, 4G LTE (Optional)
	WLAN: IEEE 802.11a/b/g/n/ac; 2.4GHz/5GHz (Optional)
Expansion	1 x Mini-PCIe, 1 x SIM Card Slot
Watchdog Timer	Output & Interval; Support Hardware Reset (256 level, 0~255 sec)
Rear I/O	1 x DC-In Jack
	1 x DP
	1 x HDMI
	1 x Line-Out + MIC (2 In 1)
	2 x USB 2.0
Front I/O	2 x LAN
	2 x Antenna Holes
	1 x Power Button
	1 x SIM Card Slot
	4 x USB 3.0
	2 x COM (RS232), COM2 Support RS232/485 (Optional)

Physical

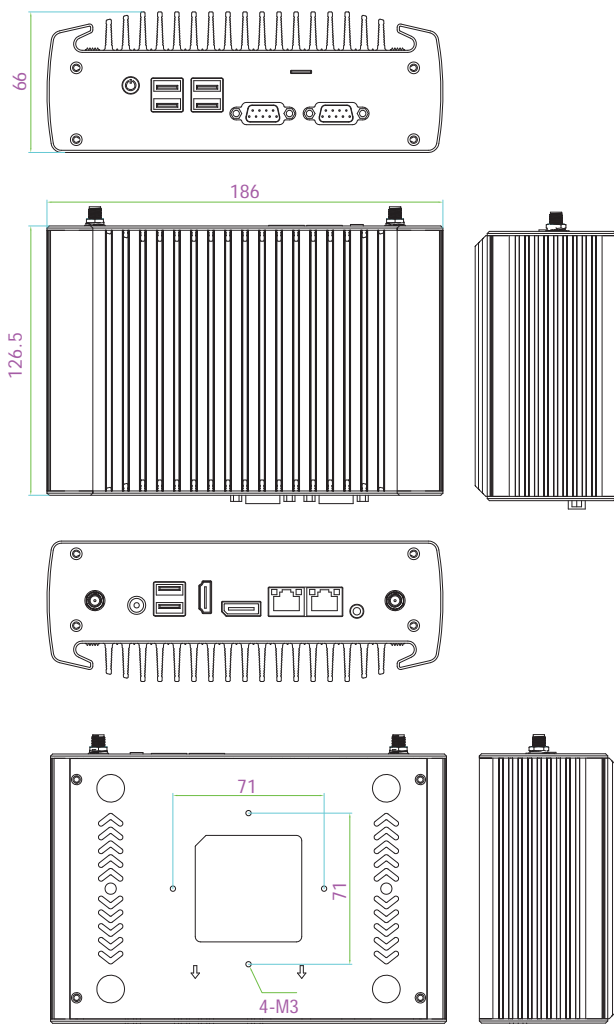
Power Input	DC 9-36V
Power Adapter	DC 12V/5A, 60W
Standard Accessory	Power Adapter
	VESA Mount Kits
Product Dimension	186 x 126.5 x 66 mm
Product Weight	1390g
Box Dimension	260 x 200 x 135 mm
Box Weight	2120g

Environment

Certification	CE, FCC
Operating Temperature	0°C ~ 50°C
Storage Temperature	-10°C ~ 85°C
Operating Humidity	5% - 95% non-condensing

Dimensions & Drawing

Unit : mm



Overview

