

WAP Series

## WAP1905



19" Waterproof Stainless Windows Touch Panel PC



- 19" TFT LCD w/PCAP Touch
- Durable M12 IO Connectors
- Optional Wall Mount, Yoke Mount Kits
- Intel® Pentium® Processor N4200
- Optional Wi-Fi Module
- All-around IP66/IP69K Rating



Food Processing



Pharmaceutical Manufacturing



Cleanroom Application



Chemical Environment



Animal Feed Production

# Specification

## WAP1905

### Display

Display Type	19" TFT LCD
Resolution	1280x1024
Brightness	350 Nits
Contrast Ratio	1000:1
LCD Color	16.7M
Touch Panel	10 Points Projected Capacitive Touch Panel

### System

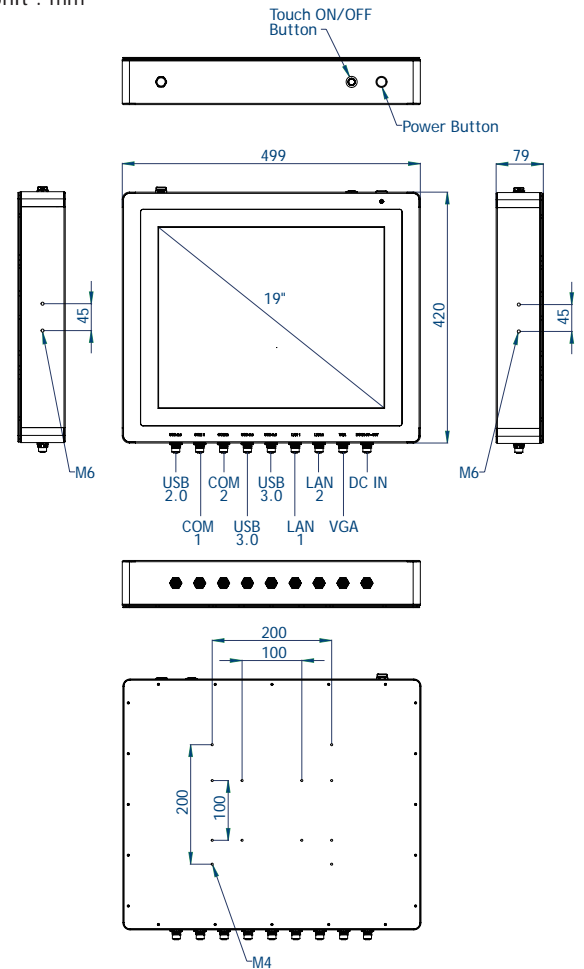
CPU	Intel® Pentium® N4200 Quad Core
Memory	1 x SO-DIMM 4GB DDR3L
Graphic	Integrated Intel® HD Graphics 505
Expansion	1 x Full Size Mini PCIe Socket (mux with mSATA)
Storage	1 x Internal 2.5" SATA HDD Bay (Up to 1TB) 1 x mSATA Socket (Shared by 1 x Mini PCIe) (Up to 1TB)
OS Support	Windows® 10 IoT Enterprise, Windows® 10 Pro
Communication	2x Intel® I210 AT GbE LAN Port, Support Wake on LAN and PXE
WLAN	Wi-Fi 802.11 a/b/g/n/ac/Bluetooth 4.0 (Optional)
IO Ports	1 x VGA (M12 Connector) 2 x LAN (M12 Connector) 2 x USB 3.0 (M12 Connector) 1 x USB 2.0 (M12 Connector) 2 x COM (M12 Connector) 1 x DC Input (M12 Connector) 1 x Waterproof Power On/Off Button 1 x Waterproof Touch On/Off Button

### Physical

Power Mode	AT, ATX
Power Input	DC 9 - 36V
Power Adapter	DC 12V/5A
Power Connector	M12 Connector
Construction	SUS304 Stainless Steel Chassis
Mounting	VESA Mounting Holes 100 x 100mm, 200 x 200mm, 200 x 100mm
Product Dimension	499 x 420 x 79 mm
Product Weight	10kg
Box Dimension	660 x 540 x 240 mm
Box Weight	15.5kg
Rugged Feature	IP66/IP69K
Operating Temperature	-20°C to 70°C
Storage Temperature	-30°C to 80°C
Relative Humidity	10% - 90% @40°C (non-condensing)

### Dimensions & Drawing

Unit : mm



### Optional Accessory

