

PPC Line WAP Series

## WAP2155



21.5" Waterproof Stainless Windows Touch Panel PC



WIFI



IP66/69K



M12 Connector



PCAP



Fanless

9V 36V  
Wide Voltage

- 21.5" TFT LCD w/PCAP Touch
- Durable M12 IO Connectors
- Optional Wall Mount, Yoke Mount Kits
- Intel® Pentium® Processor N4200
- Optional Wi-Fi Module
- All-around IP66/IP69K Rating

Food  
ProcessingPharmaceutical  
ManufacturingCleanroom  
ApplicationChemical  
EnvironmentAnimal Feed  
Production

# Specification

## WAP2155

### Display

Display Type	21.5" TFT LCD
Resolution	1920 x 1080
Brightness	300 Nits
Contrast Ratio	5000:1
LCD Color	16.7M
Touch Panel	10 Points Projected Capacitive Touch Panel

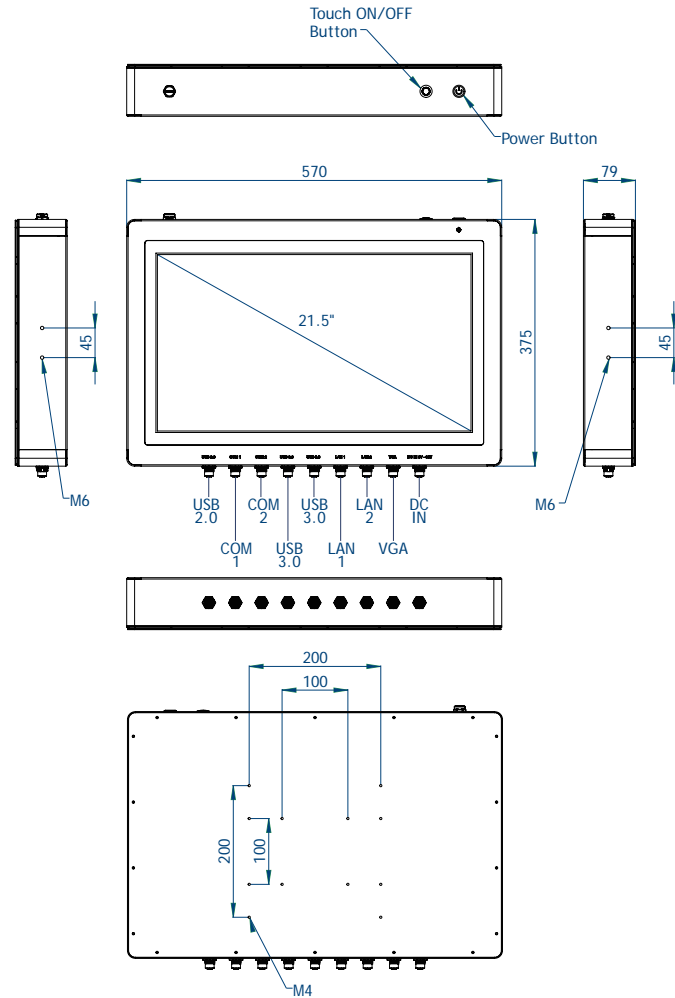
### System

CPU	Intel® Pentium® N4200 Quad Core
Memory	1 x SO-DIMM 4GB DDR3L
Graphic	Integrated Intel® HD Graphics 505
Expansion	1 x Full Size Mini PCIe Socket (mux with mSATA)
Storage	1 x Internal 2.5" SATA HDD Bay (Up to 1TB) 1 x mSATA Socket (Shared by 1 x Mini PCIe) (Up to 1TB)
OS Support	Windows® 10 IoT Enterprise, Windows® 10 Pro
Communication	2x Intel® I210 AT GbE LAN Port, Support Wake on LAN and PXE
WLAN	Wi-Fi 802.11 a/b/g/n/ac/Bluetooth 4.0 (Optional)
IO Ports	1 x VGA (M12 Connector) 2 x LAN (M12 Connector) 2 x USB 3.0 (M12 Connector) 1 x USB 2.0 (M12 Connector) 2 x COM (M12 Connector) 1 x DC Input (M12 Connector) 1 x Waterproof Power On/Off Button 1 x Waterproof Touch On/Off Button

### Physical

Power Mode	AT, ATX
Power Input	DC 9 - 36V
Power Adapter	DC 12V/5A
Power Connector	M12 Connector
Construction	SUS304 Stainless Steel Chassis
Mounting	VESA Mounting Holes 100 x 100mm, 200 x 200mm, 200 x 100mm
Product Dimension	570 x 375 x 79 mm
Product Weight	11kg
Box Dimension	745 x 610 x 255 mm
Box Weight	16kg
Rugged Feature	IP66/IP69K
Operating Temperature	-10°C to 60°C
Storage Temperature	-20°C to 70°C
Relative Humidity	10% - 90% @40°C (non-condensing)

### Dimension



### Optional Accessory

